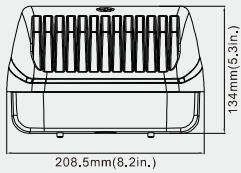




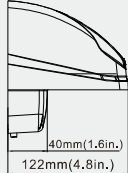
# LED WALL PACK LIGHT BG001C SERIES COLOR/POWER SELECTABLE

## DIMENSIONS

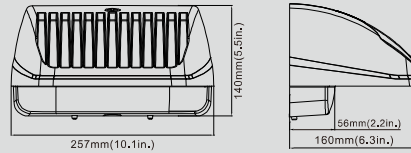
### BG001C ▼



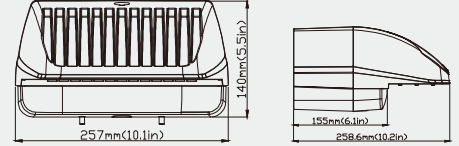
20W/24W



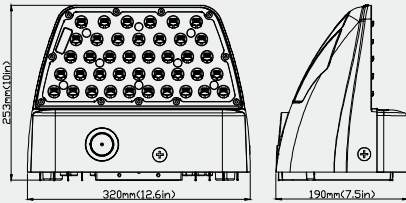
30W/42W



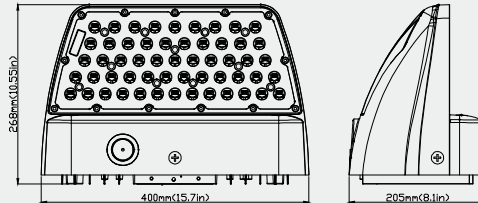
Lampstand 30W/42W



60W/80W



100W/120W



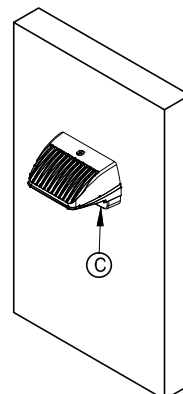
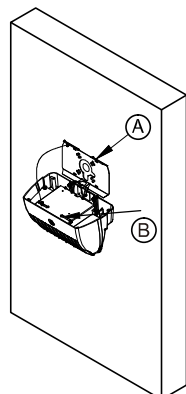
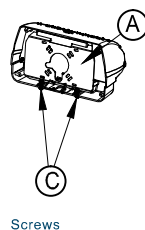
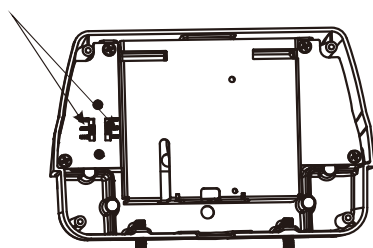
## LED Wall Pack light Parameter table-DLC Premium

| Item description            | LEDBG20W001C       | LEDBG24W001C | LEDBG30W001C-D/MG  | LEDBG42W001C-D/MG | LEDBG60W001C-D/MG  | LEDBG80W001C-D/MG | LEDBG100W001C-D/MG | LEDBG120W001C-D/MG |
|-----------------------------|--------------------|--------------|--------------------|-------------------|--------------------|-------------------|--------------------|--------------------|
| Dimensions [mm]             | 209*134*122(L*W*H) |              | 257*140*160(L*W*H) |                   | 320*190*253(L*W*H) |                   | 400*205*268(L*W*H) |                    |
| Input voltage [VAC]         | 100-277VAC         |              |                    |                   |                    |                   |                    |                    |
| Input frequency [HZ]        | 50/60              |              |                    |                   |                    |                   |                    |                    |
| Input current(max) [A]      | 0.2                | 0.24         | 0.3                | 0.42              | 0.6                | 0.8               | 1.0                | 1.2                |
| Input wattage [W]           | 20±5%              | 24±5%        | 30±5%              | 42±5%             | 60±5%              | 80±5%             | 100±5%             | 120±5%             |
| Power factor                | >0.9               |              | >0.95              |                   | ≥0.95@220V         |                   |                    |                    |
| Luminous flux@3000K [Lm]    | 2600               | 3120         | 3900               | 5460              | 7800               | 10400             | 13000              | 15600              |
| Colour temperature [K]      | 3000K/4000K/5000K  |              |                    |                   |                    |                   |                    |                    |
| Colour rendering index [Ra] | ≥80                |              |                    |                   |                    |                   |                    |                    |
| Average life [h]            | > 54000            |              |                    |                   |                    |                   |                    |                    |
| Net weight [Kg]             | 1.65/ (set)        | 1.65/ (set)  | 2.46/ (set)        | 2.46/ (set)       | 5.2/set            | 5.3/set           | 7.3/set            |                    |
| Gross weight [Kg]           | 2.1/ (set)         | 2.1/ (set)   | 3.1/ (set)         | 3.1/ (set)        | 6.0/set            | 6.1/set           | 8.1/set            |                    |
| Work environment            | Wet Location       |              |                    |                   |                    |                   |                    |                    |
| LED chip(2835)              | 64                 |              | 112                |                   | 240                |                   | 336                |                    |
| Ambient Temperature [°C]    | -25°-45°           |              |                    |                   |                    |                   |                    |                    |

## INSTALLATION

### BG001C INSTALLATION 1 20W-42W Surface mounting1

COLOR/POWER SELECTABLE

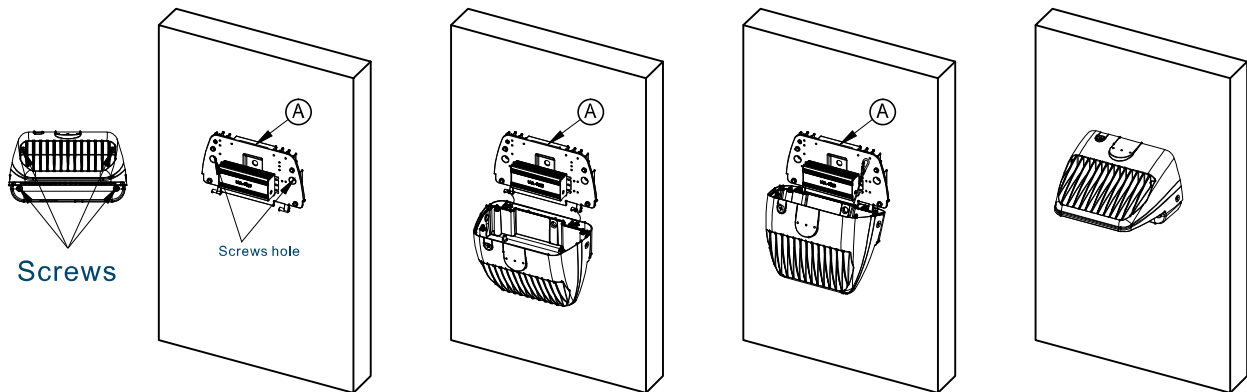


1. Take off the plate A from the luminaire and fix the plate A on the surface of the building with screws.
2. Connect the luminaire to the plate A with hook, then connect to supply source.
3. Fix the luminaire to the plate A at part B.
4. Fix the luminaire with screws at the bottom.

# LED WALL PACK LIGHT BG001C SERIES COLOR/POWER SELECTABLE

## BG001C INSTALLATION 2

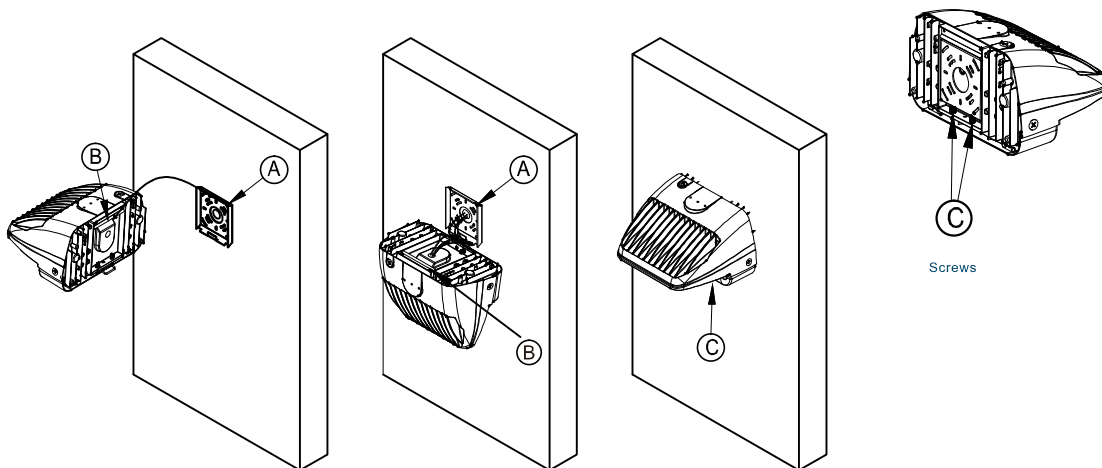
60W-120W Surface mounting 2



1. Remove the screws and open the fixture, then disconnect the supply source and grounded wires, then take off the spring buckle on the one side of the chain at the bottom.
2. Remove part A from the fixture, and punch the mounting hole on part A.
3. Fasten part A to the wall and connect the supply source.
4. Join part A to the fixture through the holes on the fixture.

## BG001C INSTALLATION 3

60W-120W Surface mounting 1



1. Take off the plate A from the luminaire and fix the plate A on the surface of the building with screws.
2. Connect the luminaire to the plate A with hook, then connect to supply source.
3. Fix the luminaire to the plate A at part B.
4. Fix the luminaire with screws at the bottom.